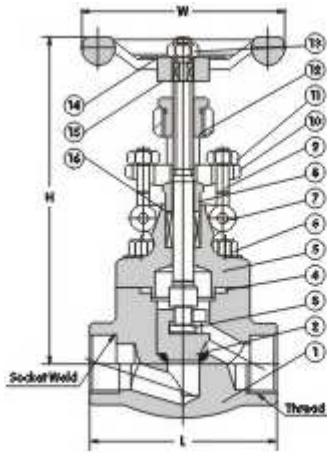
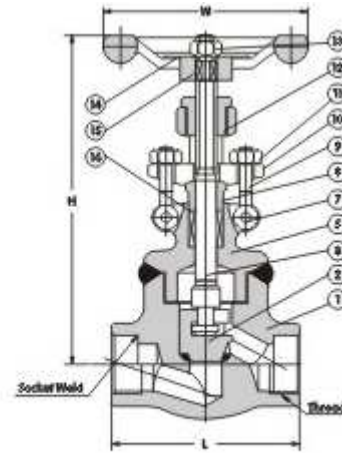




**GLOBE VALVE 800LB**



**Eg.FIG.L8C3Y**



**Eg.FIG.WL8C3Y**

Features:

**Globe Valve 800Lb**

**Standard Material Specifications**

| NO. | Part Name     | CS to ASTM               | AS to ASTM | SS to ASTM   |              |
|-----|---------------|--------------------------|------------|--------------|--------------|
|     |               | Type A105                | Type F22   | Type F304(L) | Type F316(L) |
| 1   | Body          | A105                     | A182 F22   | A182 F304(L) | A182 F316(L) |
| 2   | Disc          | A276 420                 | A276 304   | A276 304(L)  | A276 316(L)  |
| 3   | Stem          | A182 F6                  | A182 F304  | A182 F304(L) | A182 F316(L) |
| 4   | Gasket        | Corrugated SS + graphite |            | SS + PTFE    |              |
| 5   | Bonnet        | A105                     | A276 304   | A276 304(L)  | A276 316(L)  |
| 6   | Bonnet Bolt   | A193 B7                  | A193 B16   | A193 B8      | A193 B8M     |
| 7   | Pin           | A276 420                 |            | A276 304     |              |
| 8   | Gland         | A276 410                 |            | A182 F304(L) | A182 F316(L) |
| 9   | Gland Eyebolt | A193 B7                  | A193 B16   | A193 B8      | A193 B8M     |
| 10  | Gland Flange  | A216 WCB                 |            | A351 CF8     |              |
| 11  | Gland Nut     | A194 2H                  | A194 4     | A194 8       | A194 8M      |
| 12  | Yoke Nut      | A276 410                 |            |              |              |
| 13  | H.W.Nut       | A194 2H                  | A194 4     | A194 8       | A194 8M      |
| 14  | Nameplate     | SS                       |            |              |              |



|                      |              |                   |           |  |
|----------------------|--------------|-------------------|-----------|--|
| 15                   | Handwheel    | A197              |           |  |
| 16                   | Stem Packing | Flexible Graphite | PTFE      |  |
| Suitable Medium      |              | W.O.G.etc         | W.O.G.etc | HNO <sub>3</sub> CH <sub>3</sub> OOH etc |
| Suitable Temperature |              | -29~425           | -29~550   | -29~180                                  |

**Note:** Other materials are available upon request.

### Dimensions (mm) and Weights (Kg)

| NPS     | Conv.  | 3/8" | 1/2" | 3/4" | 1"   | 1-1/4" | 1-1/2" | 2"     |      |
|---------|--------|------|------|------|------|--------|--------|--------|------|
|         | Full   |      | 3/8" | 1/2" | 3/4" | 1"     | 1-1/4" | 1-1/2" | 2"   |
| L       |        | 79   | 79   | 92   | 111  | 120    | 152    | 172    | 200  |
| H(OPEN) |        | 166  | 166  | 171  | 207  | 240    | 258    | 330    | 355  |
| W       |        | 100  | 100  | 100  | 125  | 160    | 160    | 180    | 200  |
| Weights | Bolted | 1.9  | 1.9  | 2.1  | 3.5  | 6.0    | 7.5    | 11.4   | 14.6 |
|         | Welded | 1.7  | 1.7  | 1.9  | 3.3  | 5.2    | 6.8    | 10.6   | 13.8 |